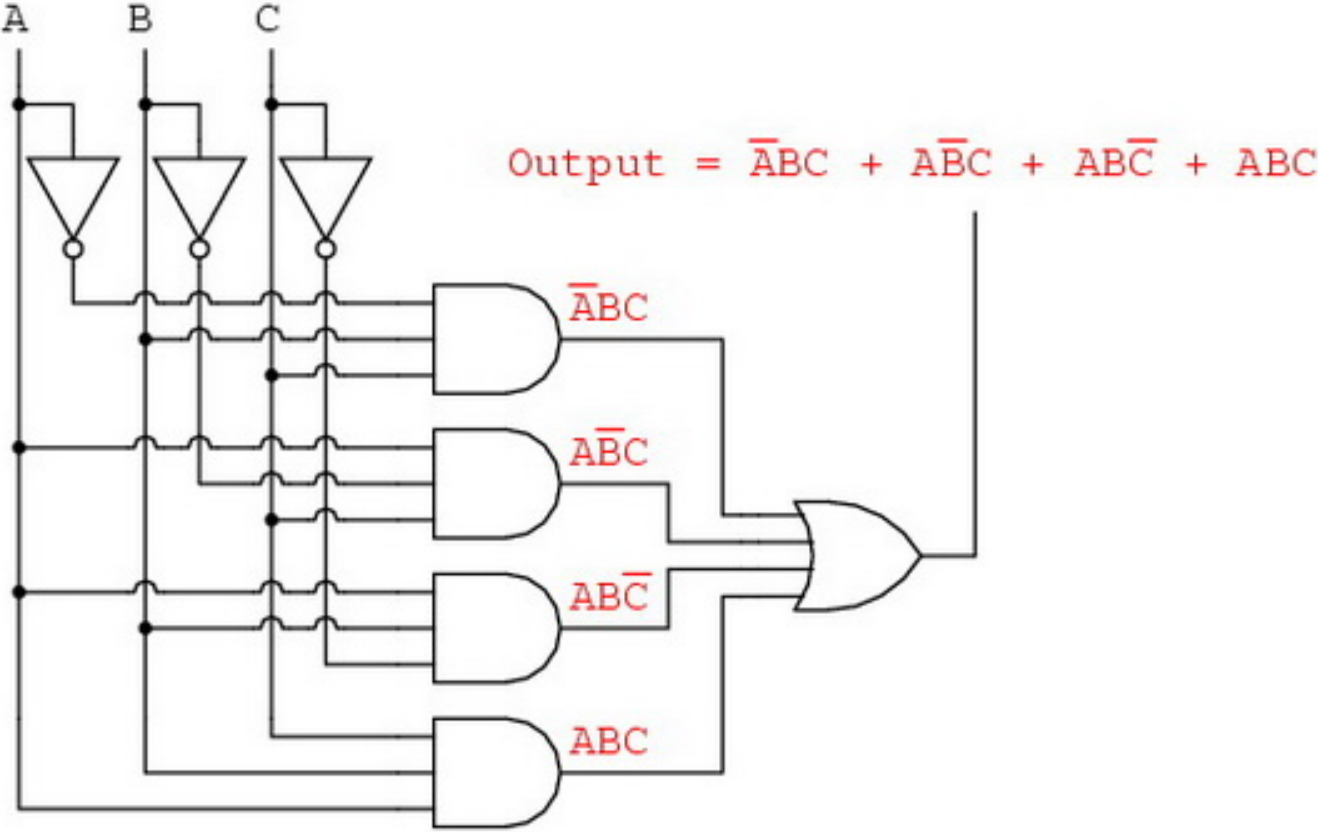


Reallusion CrazyTalk Animator 3.2.2029.1 Pipeline Crack Crack



DOWNLOAD: <https://tinurli.com/2ikqfy>

Download

Free Download, Show Demo. CrazyTalk Animator Pipeline is a system which translates animations from one file format to another. The CrazyTalk Animator Pipeline also helps to easily convert an in progress animation file to a new file format by simply exporting the animation to a CrazyTalk Animator Production Library. You can also create a new animation in the CrazyTalk Animator Pipeline by importing a new composition from the library. The CrazyTalk Animator Pipeline is an animation editing system that will import and export CrazyTalk Animator (CTA) and Flash, sxf, and Amtlib3D file formats. CrazyTalk Animator Pipeline. CrazyTalk Animator Pipeline is a system which translates animations from one file format to another. CrazyTalk Animator Pipeline also helps to easily convert an in progress animation file to a new file format by simply exporting the animation to a CrazyTalk Animator Production Library. You can also create a new animation in the CrazyTalk Animator Pipeline by importing a new composition from the library. The CrazyTalk Animator Pipeline is an animation editing system that will import and export CrazyTalk Animator (CTA) and Flash, sxf, and Amtlib3D file formats. Reallusion CrazyTalk Animator Pipeline, CrazyTalk Animator Animation Pipeline - CrazyTalk Animator Animation Pipeline - CrazyTalk Animator CrazyTalk Animator 3.2.2029.1 Pipeline License Key Key Features CrazyTalk Animator Pipeline has many features for your to explore. All in one animation editing environment.. Reallusion CrazyTalk Animator Pipeline, CrazyTalk Animator Animation Pipeline - CrazyTalk Animator Animation Pipeline - CrazyTalk Animator CrazyTalk Animator Pipeline is an animation editing system that will import and export CrazyTalk Animator (CTA) and Flash, sxf, and Amtlib3D file formats. CrazyTalk Animator Pipeline is a system which translates animations from one file format to another. CrazyTalk Animator Pipeline also helps to easily convert an in progress animation file to a new file format by simply exporting the animation to a CrazyTalk Animator Production Library. You can also create a new animation in the CrazyTalk Animator Pipeline by importing a new composition from the library. CrazyTalk Animator Pipeline is an animation editing system that will import and export CrazyTalk Animator (CTA) and Flash, sxf, and Amtlib3D file formats. CrazyTalk Animator Pipeline (CrazyTalk Animator Pipeline) is 82157476af

[Download Don't Forget Our Esports Dream .zip](#)
[Injection Mould Design By R G W Pye Free Pdf](#)
[Artlantis Studio 5023Win 64 Crack](#)